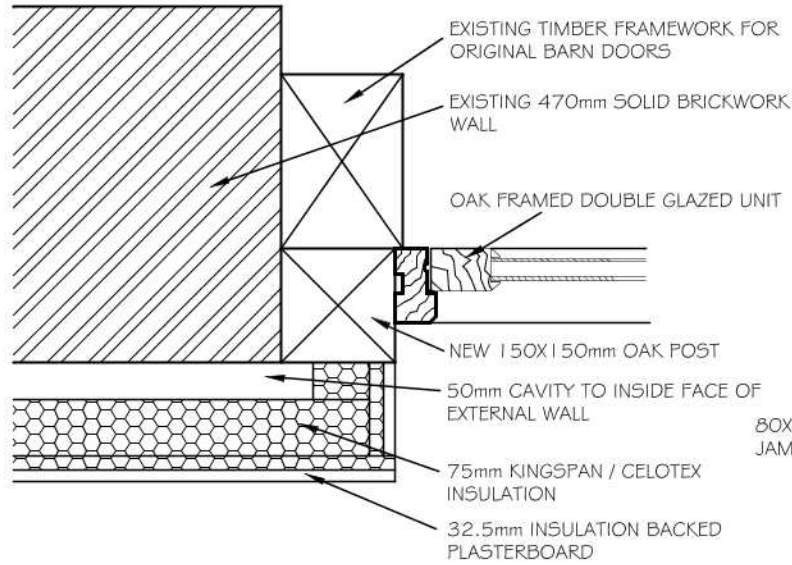
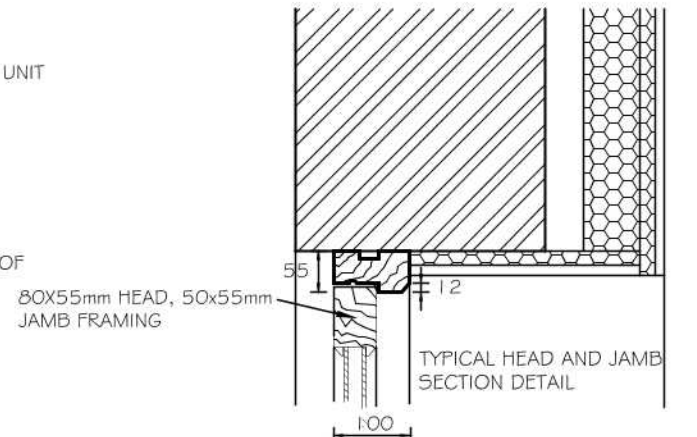


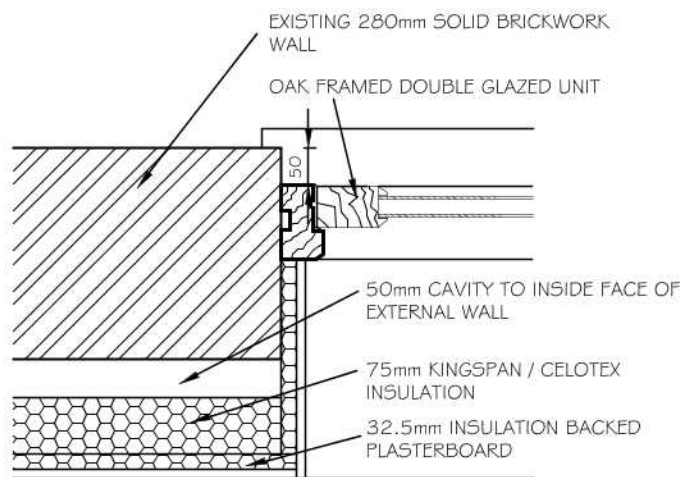
NOTES  
 WRITTEN DIMENSIONS TO BE TAKEN IN PREFERENCE TO SCALE, AND ARE TO BE CHECKED ON SITE PRIOR TO COMMENCING WORK.  
 THIS DRAWING IS TO BE READ IN CONJUNCTION WITH ALL OTHER DOCUMENTS RELATING TO THIS PROJECT.  
 ANY DISCREPANCIES ARE TO BE REFERRED IMMEDIATELY TO THE PROJECT DESIGNER.  
 THIS DRAWING IS COPYRIGHT, AND SHOULD NOT BE USED OR REPRODUCED WITHOUT PERMISSION.  
 IT IS THE CONTRACTOR'S RESPONSIBILITY TO ENSURE COMPLIANCE WITH THE BUILDING REGULATIONS.



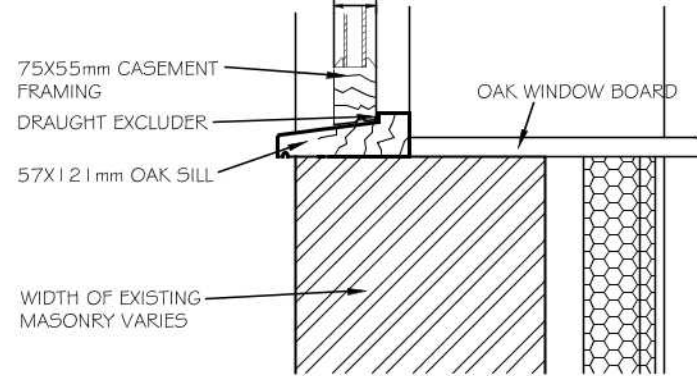
PLAN OF JAMB TO MAIN BARN OPENING  
 SCALE 1:10



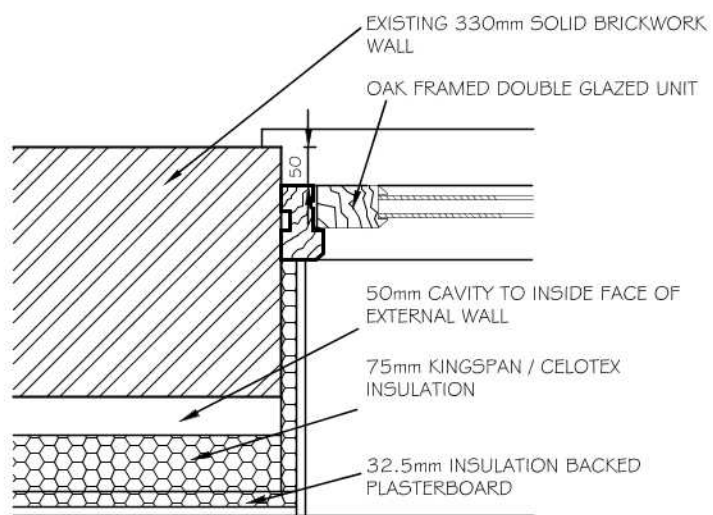
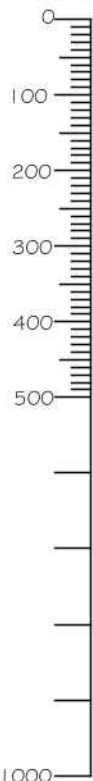
TYPICAL SILL SECTION  
 SCALE 1:10



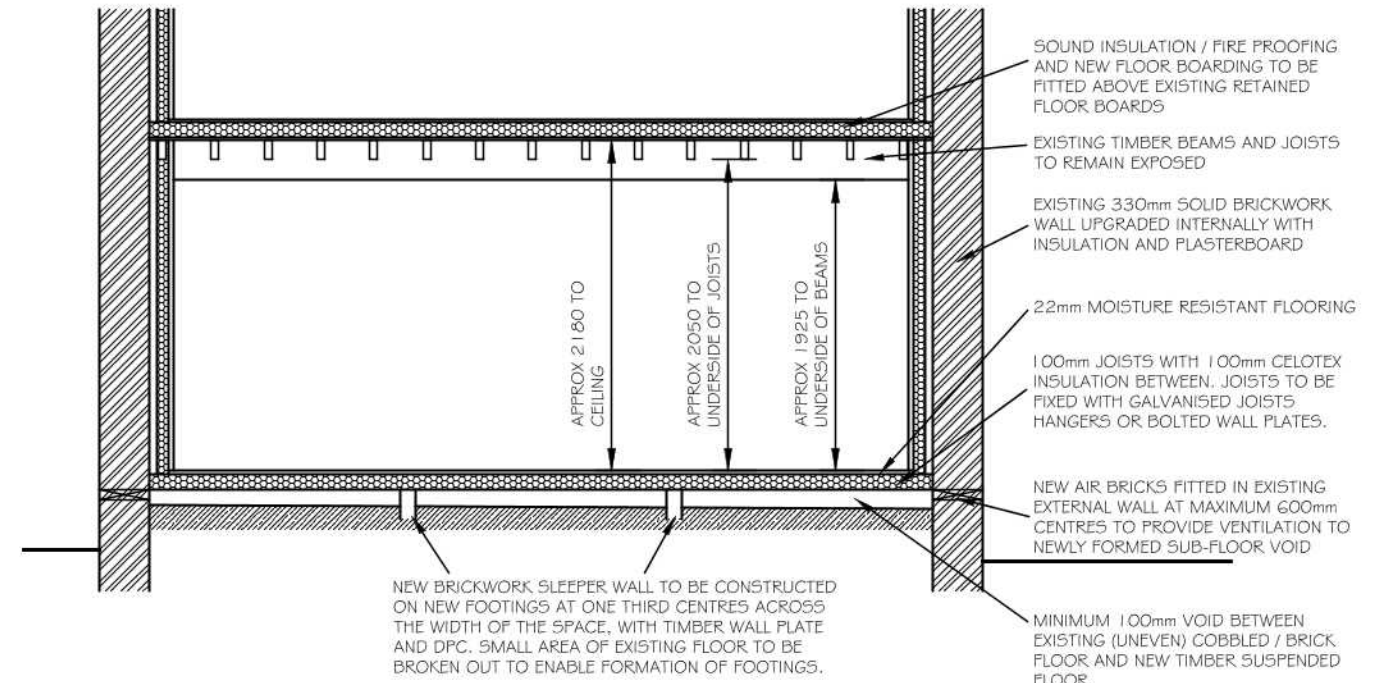
PLAN OF JAMB TO SINGLE STOREY AREA OF BARN 2  
 SCALE 1:10



Scale bar (mm)



PLAN OF JAMB TO TWO STOREY AREA OF BARN 1  
 SCALE 1:10



SECTION THROUGH BARN 1 IN AREA OF EXISTING FLINT / BRICK FLOOR  
 SCALE - 1:50

Scale bar (m)



REV	DESCRIPTION	DATE
A	MINOR AMENDMENT	08.04.21

**PROJECT**  
 BARNs AT STAKERS FARM  
 NORTH END ROAD  
 YAPTON BN18 0DU

**DRAWING TITLE**  
 PROPOSED TYPICAL JOINERY DETAILS & DETAIL FOR PROTECTION OF EXISTING FLOORING TO BARN 1

SCALE	DRAWN BY	DATE
1:50 / 1:10 @A3	FLB	FEB 21
DWG NO	REV.	
1020/05	A	

Unit 3b Woodhorn Business Centre  
 Woodhorn Lane  
 Oving Chichester  
 West Sussex PO20 2BX  
 Tel 01243 774764  
 www.sloaneandbrown.co.uk

CHARTERED BUILDING SURVEYORS  
**SLOANE & BROWN**  
 ARCHITECTURAL SERVICES