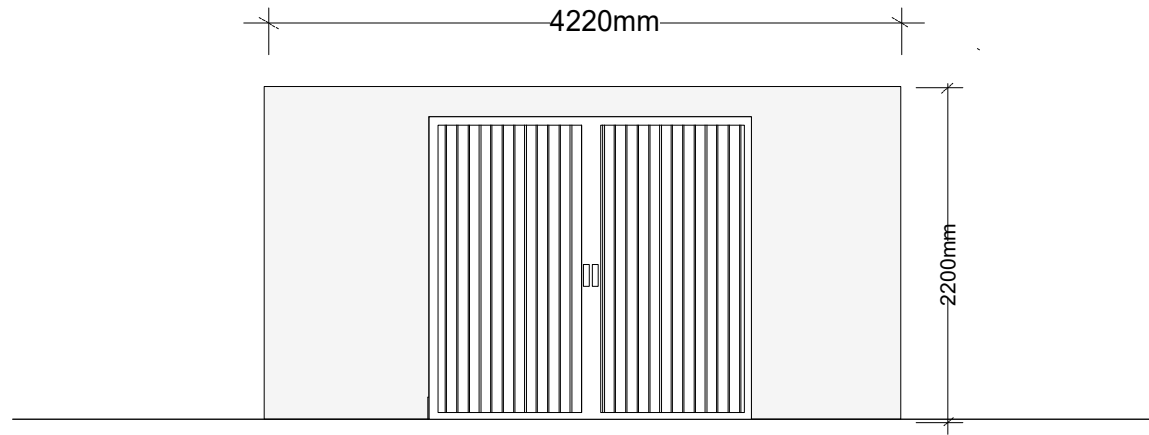
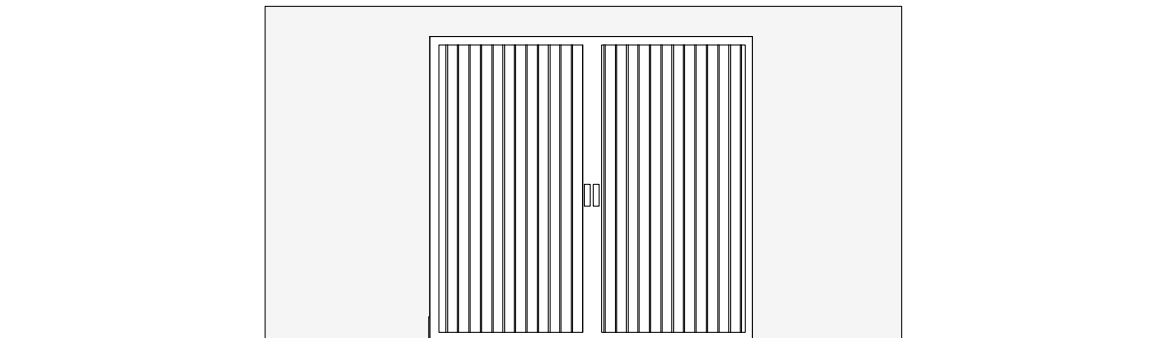


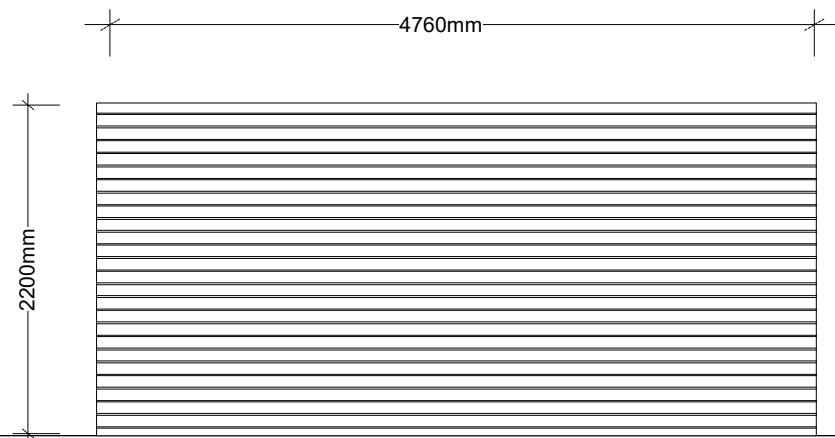
1 **PLAN- BIN STORE**  
Scale: 1:50



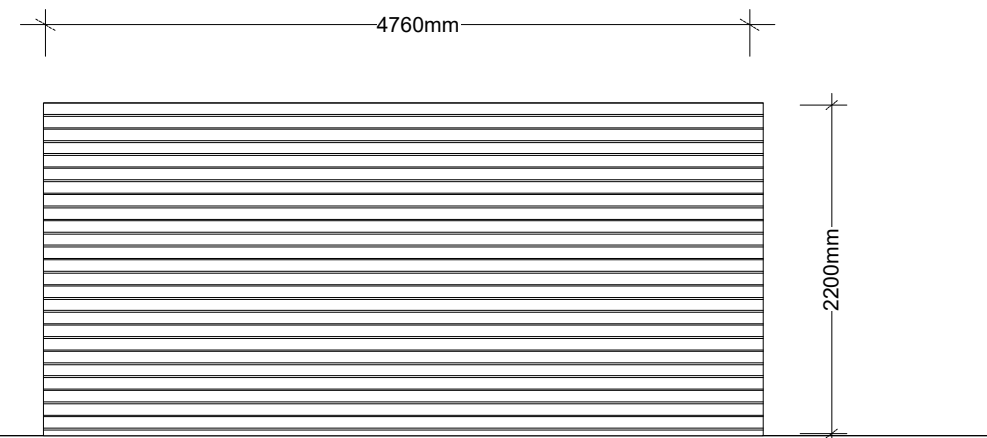
2 **FRONT ELEVATION BIN STORE**  
Scale: 1:50



3 **REAR ELEVATION- BIN STORE**  
Scale: 1:50



4 **SIDE VIEW- BIN STORE**  
Scale: 1:50



**REVISIONS**

All dimensions and particulars are to be checked on site before work commences and any discrepancy to be reported to Hughes Jay & Panter Ltd.  
DO NOT SCALE from this drawing, use written dimensions only

**hjp** ○ ○ ○ ○

Grove House  
64 Sutton Grove  
Sutton, Surrey, SM1 4LP  
Tel: 020 8661 2228  
Fax: 020 8661 7551  
mail@hjsurveyors.com  
www.hjsurveyors.com

Operating throughout the UK  
from London & West Sussex

hughes jay & panter ltd  
chartered surveyors & property consultants

e-mail: mail@hjsurveyors.com website: www.hjsurveyors.com

Project

**57 Queensway  
Bognor Regis  
PO21 1QN**

Drawing

**Bin Store**

Job Number      Drawing Number : Revision

**6304**                      **1: -**

Drawn                                      Computer Reference

MZ    -

Date    Scale

Aug 2025                                      1:50

**Freshwater**