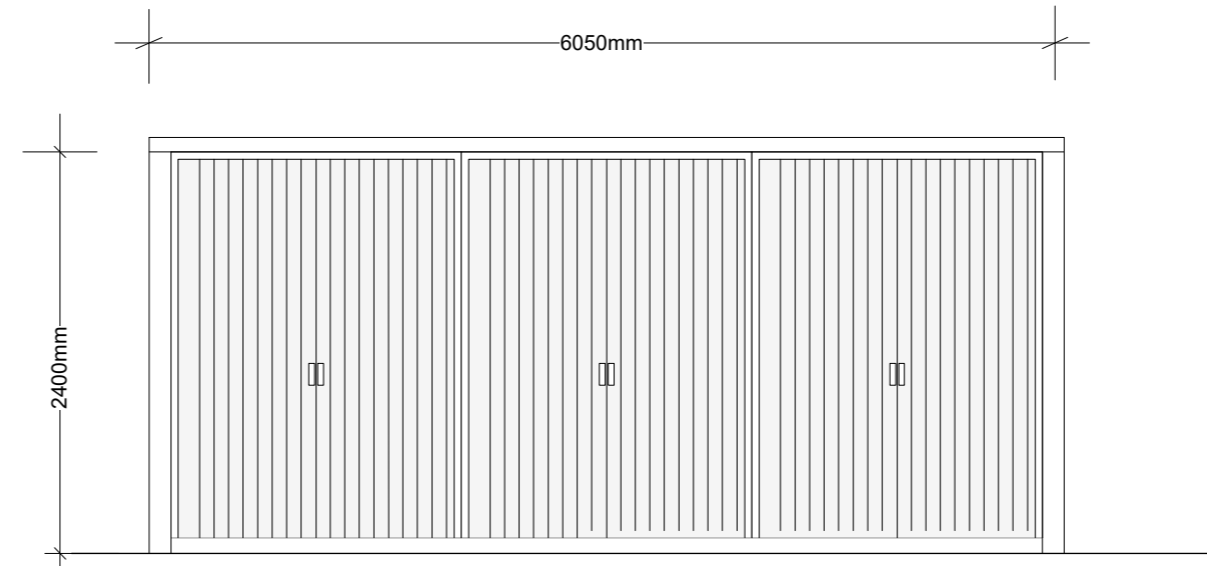
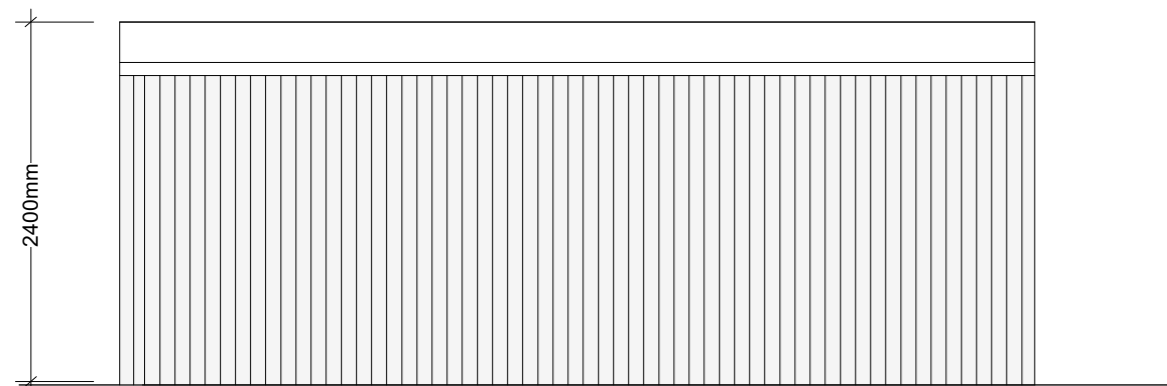


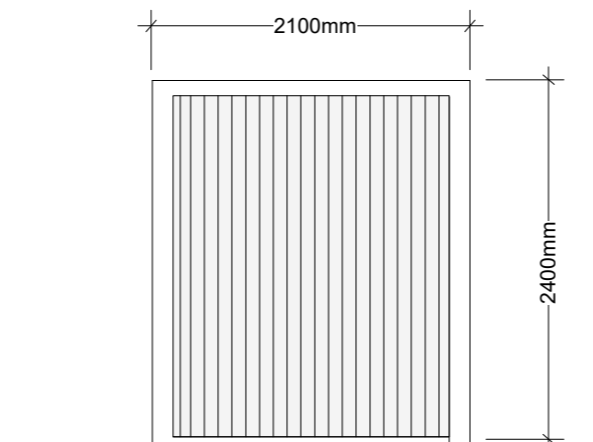
1 **PLAN- BIKE STORAGE**  
Scale: 1:50



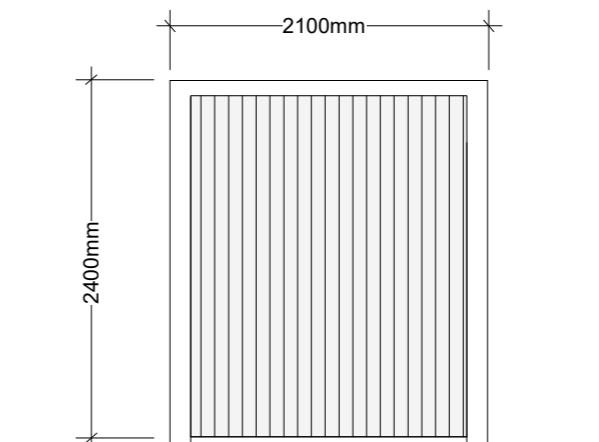
2 **FRONT ELEVATION- BIKE STORAGE**  
Scale: 1:50



4 **REAR ELEVATION- BIKE STORAGE**  
Scale: 1:50



3 **SIDE ELEVATION- BIKE STORAGE**  
Scale: 1:50



**REVISIONS**

All dimensions and particulars are to be checked on site before work commences and any discrepancy to be reported to Hughes Jay & Panter Ltd.  
DO NOT SCALE from this drawing, use written dimensions only

**hjp** ○ ○ ○ ○

hughes jay & panter ltd  
chartered surveyors & property consultants

Grove House  
64 Sutton Grove  
Sutton, Surrey, SM1 4LP

Tel: 020 8661 2228  
Fax: 020 8661 7551  
mail@hjsurveyors.com  
www.hjsurveyors.com

Operating throughout the UK  
from London & West Sussex

e-mail: mail@hjsurveyors.com website: www.hjsurveyors.com

Project  
**57 Queensway  
Bognor Regis  
PO21 1QN**

Drawing  
**BIKE STORE**

Job Number	Drawing Number : Revision
<b>6304</b>	<b>1: -</b>

Drawn	Computer Reference
MZ	-
Date	Scale
Aug 2025	1:50

